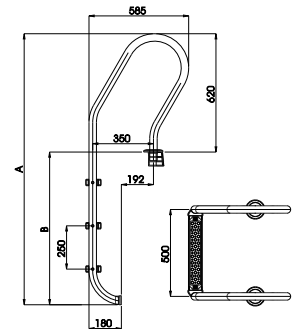


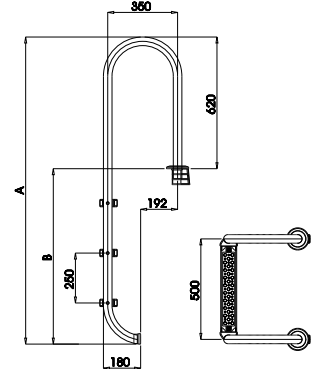
- Manufactured of stainless steel AISI 304 tube with a diameter of 43 mm and width of 500mm in a shiny polished finish.
- Each ladder style supplied with 2, 3,4 or 5 steps.
- 316SS option for salt water also available.
- Anti-Slip met LUXE.



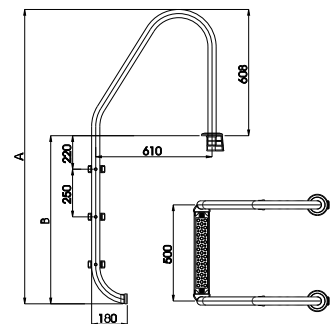
LUXE-MIX HANDRAIL LADDER				
Code	Treads	Tread Material	Size A (mm)	Size B (mm)
CX-60101-L	2	Stainless Steel	1330	710
CX-60102-L	3	Stainless Steel	1580	960
CX-60103-L	4	Stainless Steel	1830	1210
CX-60104-L	5	Stainless Steel	2080	1460



LUXE-WALL HANDRAIL LADDER				
Code	Treads	Tread Material	Size A (mm)	Size B (mm)
CX-60201-L	2	Stainless Steel	1330	710
CX-60202-L	3	Stainless Steel	1580	960
CX-60203-L	4	Stainless Steel	1830	1210
CX-60204-L	5	Stainless Steel	2080	1460



LUXE-STANDARD HANDRAIL LADDER				
Code	Treads	Tread Material	Size A (mm)	Size B (mm)
CX-60301-L	2	Stainless Steel	1330	710
CX-60302-L	3	Stainless Steel	1580	960
CX-60303-L	4	Stainless Steel	1830	1210
CX-60304-L	5	Stainless Steel	2080	1460



LUXE-OVERFLOW HANDRAIL LADDER				
Code	Treads	Tread Material	Size A (mm)	Size B (mm)
CX-60401-L	2	Stainless Steel	1287	587
CX-60402-L	3	Stainless Steel	1537	837
CX-60403-L	4	Stainless Steel	1787	1087

